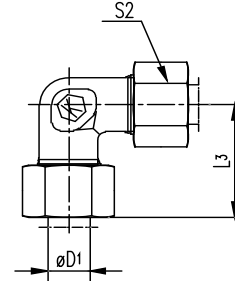
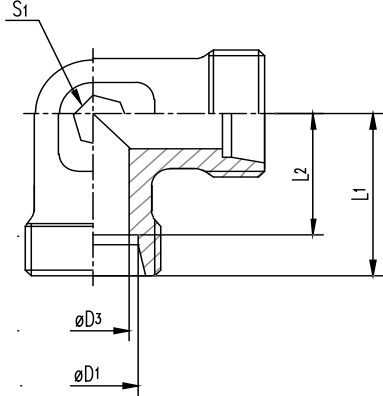


W Union elbow - 24° cone end

W - Winkel-Stutzen 24° - Anschluss

Order code without nut and cutting ring
XD...(X122....)

Order code with nut and cutting ring
D...(122....)



Series	Tube ØD1	D3	L1	L2	L3	S1	S2	Weight g/1 piece	ITEM CODE	ITEM NAME	PN (bar)
	Rohr ØD1								PREMOEM Nr.:	Bezeichnung	
LL	4	3.0	15	11.0	21	9	10	13	122100404	D4DB	100
	6	4.5	15	9.5	21	9	12	16	122100606	D6DB	100
	8	6.0	17	11.5	23	12	14	15	122100808	D8DB	100
	10	8.0	18	12.5	24	12	17	19	122101010	D10DB	100
	12	10.0	19	13.0	25	14	19	22	122101212	D12DB	100
L	6	4.0	19	12.0	27	12	14	20	122200606	D6NB	315
	8	6.0	21	14.0	29	12	17	23	122200808	D8NB	315
	10	8.0	22	15.0	30	14	19	30	122201010	D10NB	315
	12	10.0	24	17.0	32	17	22	40	122201212	D12NB	315
	15	12.0	28	21.0	36	19	27	75	122201515	D15NB	315
	18	15.0	31	23.5	40	24	32	108	122201818	D18NB	315
	22	19.0	35	27.5	44	27	36	140	122202222	D22NB	160
	28	24.0	38	30.5	47	36	41	251	122202828	D28NB	160
	35	30.0	45	34.5	56	41	50	388	122203535	D35NB	160
42	36.0	51	40.0	63	50	60	557	122204242	D42NB	160	
S	6	4.0	23	16.0	31	12	17	32	122300606	D6YB	630
	8	5.0	24	17.0	32	14	19	45	122300808	D8YB	630
	10	7.0	25	17.5	34	17	22	57	122301010	D10YB	630
	12	8.0	29	21.5	38	17	24	89	122301212	D12YB	630
	14	10.0	30	22.0	40	19	27	95	122301414	D14YB	630
	16	12.0	33	24.5	43	24	30	83	122301616	D16YB	400
	20	16.0	37	26.5	48	27	36	185	122302020	D20YB	400
	25	20.0	42	30.0	54	36	46	352	122302525	D25YB	400
	30	25.0	49	35.5	62	41	50	516	122303030	D30YB	400
38	32.0	57	41.0	72	50	60	823	122303838	D38YB	315	

LL= very light series

L= light series

S= heavy series

PN (bar) = PN (MPa)
10

Zinc plated=Cr(VI)-free